

Quick Start Guide

Package Contents

EZMesh



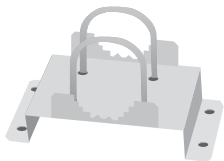
RJ-45 Connector (X1)



Coax-Seal (10")

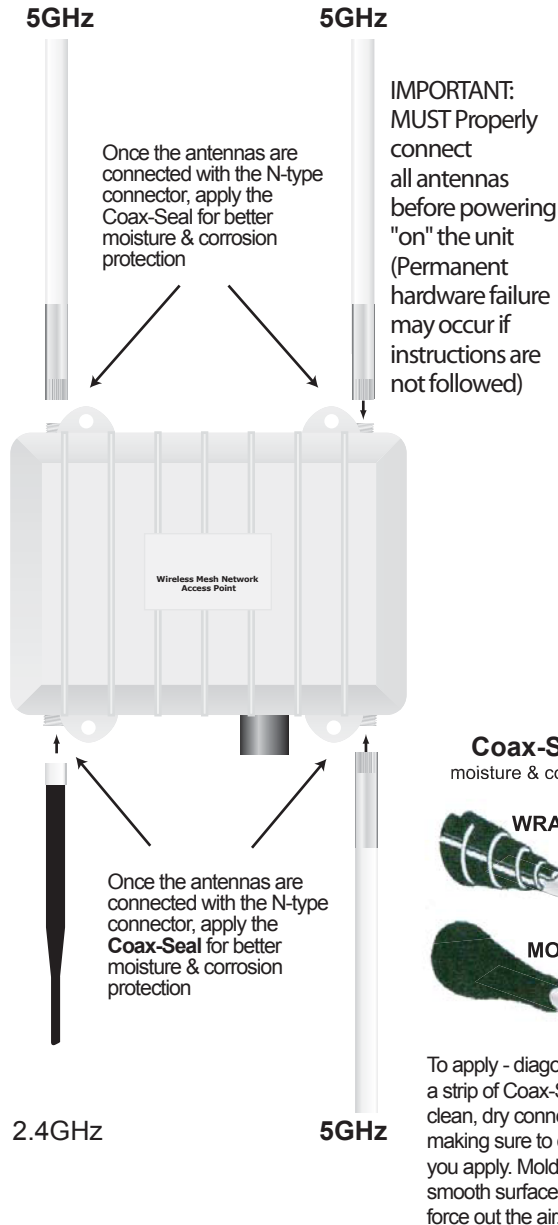


Pole Mount Bracket (X1)
Hex screws (4)
Hex locknuts(4)
Washer(4)
2 3/8" diameter U-bolts (x2)
U-bolts Locknuts (4)
Ubolts Washer(4)

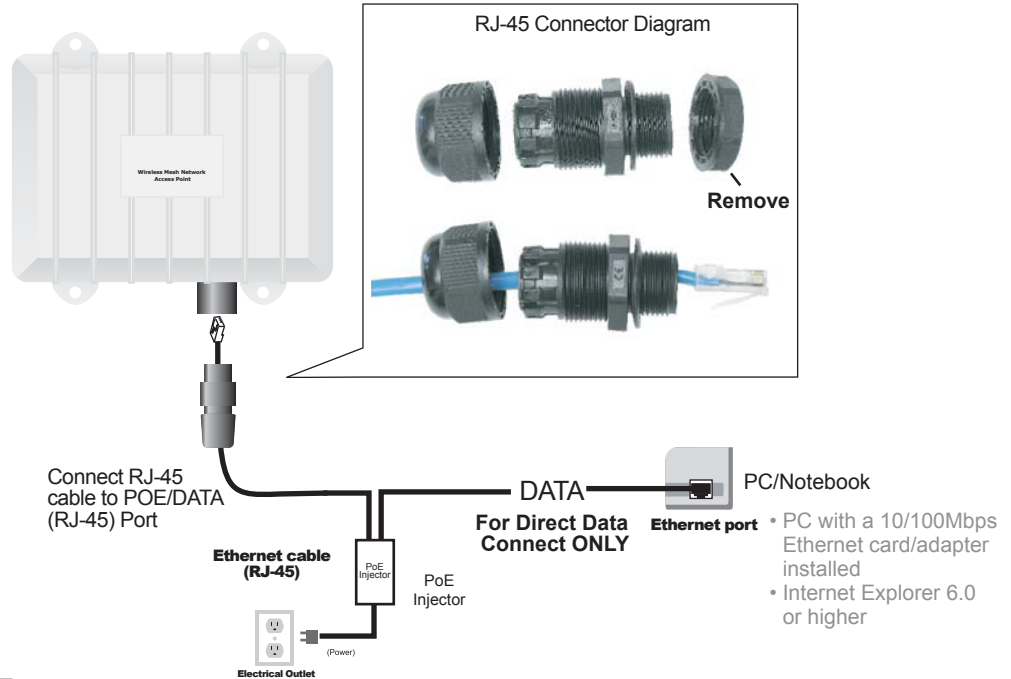


Hardware Setup

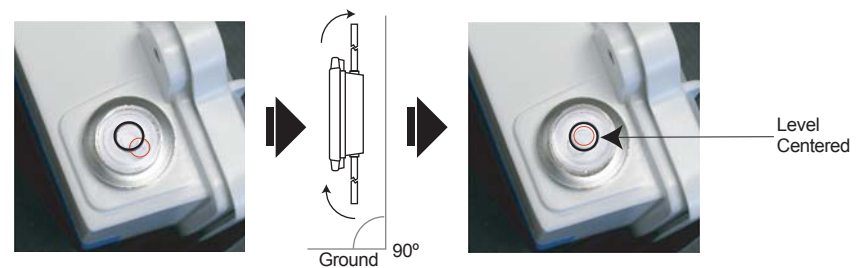
1 Connect each antenna to an antenna socket



2 Connect one end of the Ethernet cable to the **Ethernet** port and another end to the POE (Power over Ethernet) injector



3 MeshAP must be properly leveled to acquire good signal strength between nodes



Accessing the unit

1. Make sure PC or notebook IP address is set to: 192.168.1.xxx and subnet mask is set to: 255.255.255.0
2. Launch Web Browser (Internet Explorer or Firefox)
3. Enter 192.168.1.8 at the address bar of the web browser and press Enter to access the Access Point
4. UserName: admin Password: admin Click "OK"

How to Clear ARP Table for IP Conflict

To clear the ARP table of a Microsoft Window system by issuing the following command, **arp -d** in command prompt

