

# EZ Bridge 802.11B 200mW Product Guide

## Section - Product Information

### I. Introduction

**Product Name:** EZ Bridge  
**Model:** 802.11B 200mW  
**Item Number:** 11-214 (PCB Kit) and 11-210 (NEMA4 Box)

### II. Technical Specs

**Protocol:** IEEE 802.11b  
**Spreading:** Direct Sequence Spread Spectrum (DSSS)  
**Modulation:** DBPSK @ 1Mbps; DQPSK @ 2Mbps; CCK @ 5.5 and 11Mbps  
**Frequency Band:** 2.4 GHz (ISM band)  
**Data Rate Supported:** 1, 2, 5.5, and 11 Mbps  
**RF Configuration Modes:** Station Bridge, Ad-Hoc and AP modes supported  
**Operating Channels:** 11 channels (US, Canada)  
**Transmit Power:** 23±1dBm (~200 mW) Typical  
**Receive Sensitivity:** 1 Mbps: -93 dBm, 2 Mbps: -90 dBm, 5.5 Mbps: -85 dBm, 11 Mbps: -82 dBm  
**TX/RX Range:** (In free space)  
Indoor: 11, 5.5 Mbps = 164 Ft. (50 m); 2, 1 Mbps = 360 Ft. (110 m)  
Outdoor: 11, 5.5 Mbps = 787 Ft. (240 m); 2, 1 Mbps = 1968 Ft. (600 m)  
**PCMCIA Card Antenna Connector:** MMCX RP Connector (Use connector nearby the LED for Outdoor Installations.)  
**Ethernet Port:** 10 base T Ethernet  
**Security Filter:** MAC Address Filtering for 16 clients  
**Regulatory Approval:** FCC Part 15, Sec. 15.247, Sec. 15.107 and Class B  
**Weight PCB:** 195g (6.87 oz)  
**Dimensions PCB:** 5.75" L x 3.38" W x 1.25" H (15cm L x 8.5cm W x 3cm H)  
**Weight w/ NEMA4 Box:** 1.13 Kg (2.5 lb)  
**Dimensions w/ NEMA4 Box:** 7" L x 5.4" W x 2.8" H (18cm L x 13.8cm W x 7.3cm H)  
**Environmental:**  
Operating Temperature: -20°C to 70°C (-4°F to 158°F)  
Humidity: 10 to 90% (non-condensing)  
**AC Adapter:**  
Input 120 VAC -- 60 Hz -- 10 W  
Output 9 VDC -- 1.5 A

### III. Package List

1. EZBridge
2. Power over Ethernet Injector
3. AC/DC Power Adapter
4. Ethernet Cable
5. Ethernet Crossover Cable
6. Waterproof RJ-45 Connector
7. Mounting Hardware
8. User Manual

## **Section - B Quick Setup Guide**

### **I. Initial Setup**

#### **Requirements**

- ✓ One or more PCs (desktop or notebook) with Ethernet interface.
- ✓ TCP/IP protocol must be installed on all PCs. (Refer to User Manual for additional information)
- ✓ Network cables. Use standard 10/100BaseT network (UTP) cables with RJ45 connectors.
- ✓ All wireless devices must be compliant with the IEEE 802.11B specifications.
- ✓ Microsoft Internet Explorer 5.0 or later or Netscape Navigator 4.7 or later.

**\* To avoid damage to the EZ Bridge, do not connect the power adapter to a power source until all other connections has been established.**

### **II. Unit login info**

After all initial setup requirements are checked type the following IP under the address bar of a web browser to login.

#### **EZ Bridge Default IPs**

In AP Mode: **192.168.1.90**

In Client Mode: **192.168.1.99\***

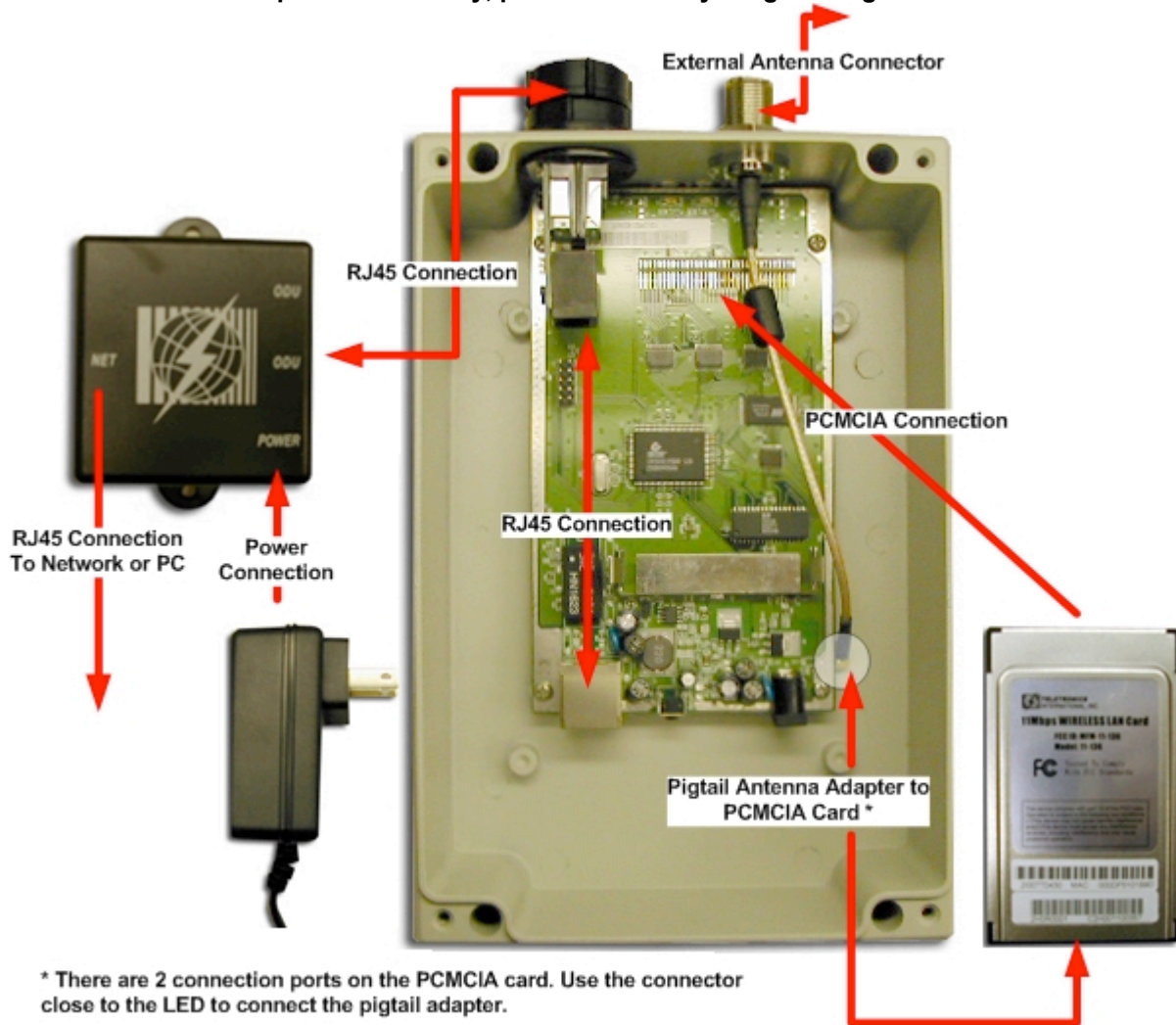
Authentication: **Nothing needs to be typed for login and password.\***

\* The default factory setting for EZ Bridge 802.11B.

## Section - C Assembly Instruction

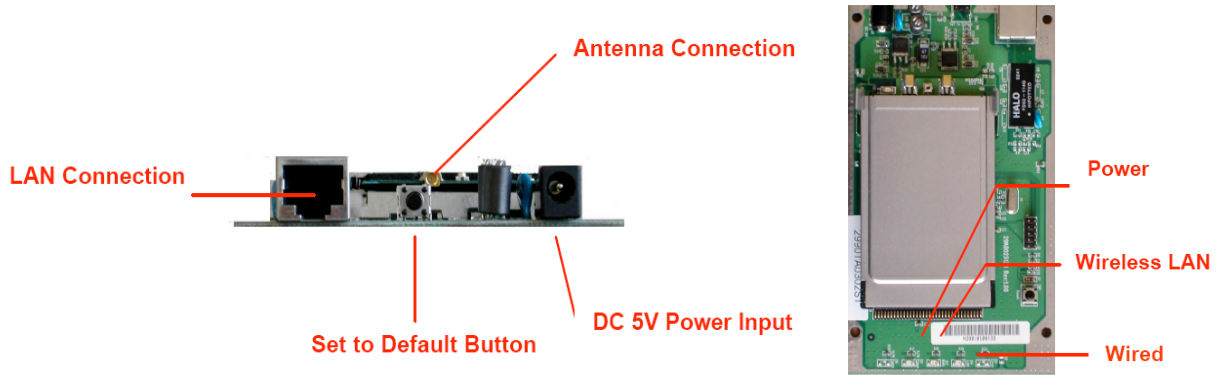
### I. Assembly Diagram

\*Part pictures will vary, please use it only for general guide line.

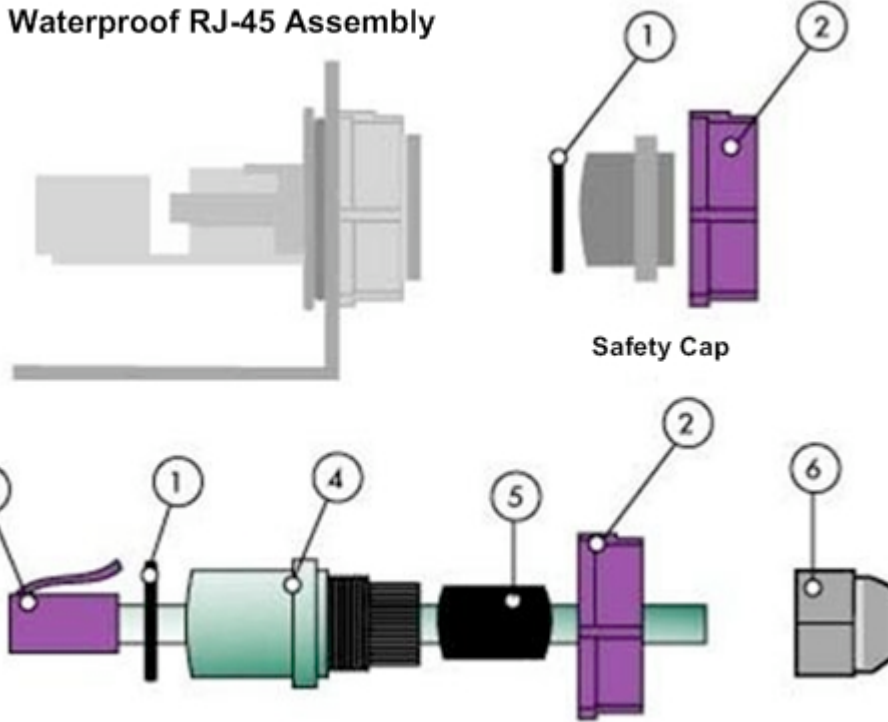


\* There are 2 connection ports on the PCMCIA card. Use the connector close to the LED to connect the pigtail adapter.

100 mW EZBridge use MMCX type pigtail cable  
200 mW Ezbridge use MMCX RP type pigtail cable



### Waterproof RJ-45 Assembly



Reuse items 1 and 2 from the safety cap, assemble the waterproof RJ-45 connector as shown above.

## II. Pictures



NEMA-4  
EZ Bridge 802.11B Weather Proof Case  
Item Number: 11-210



EZ Bridge 802.11B PCB Kit  
Item Number: 11-214

## **Section - D Policies**

### **I. Warranty Policy**

#### **Limited Warranty**

All Teletronics' products warranted to the original purchaser to be free from defects in materials and workmanship under normal installation, use, and service for a period of one (1) year from the date of purchase.

Under this warranty, Teletronics International, Inc. shall repair or replace (at its option), during the warranty period, any part that proves to be defective in material of workmanship under normal installation, use and service, provided the product is returned to Teletronics International, Inc., or to one of its distributors with transportation charges prepaid. Returned products must include a copy of the purchase receipt. In the absence of a purchase receipt, the warranty period shall be one (1) year from the date of manufacture.

This warranty shall be voided if the product is damaged as a result of defacement, misuse, abuse, neglect, accident, destruction or alteration of the serial number, improper electrical voltages or currents, repair, alteration or maintenance by any person or party other than a Teletronics International, Inc. employee or authorized service facility, or any use in violation of instructions furnished by Teletronics International, Inc.

This warranty is also rendered invalid if this product is removed from the country in which it was purchased, if it is used in a country in which it is not registered for use, or if it is used in a country for which it was not designed. Due to variations in communications laws, this product may be illegal for use in some countries. Teletronics International, Inc. assumes no responsibility for damages or penalties incurred resulting from the use of this product in a manner or location other than that for which it is intended.

IN NO EVENT SHALL TELETRONICS INTERNATIONAL, INC. BE LIABLE FOR ANY SPECIAL, INCIDENTAL OR CONSEQUENTIAL DAMAGES FOR BREACH OF THIS OR ANY OTHER WARRANTY, EXPRESSED OR IMPLIED, WHATSOEVER.

Some states do not allow the exclusion or limitation of special, incidental or consequential damages, so the above exclusion or limitation may not apply to you.

This warranty gives you specific legal rights, and you may also have other rights that vary from state to state.

### **II. RMA Policy**

#### **Product Return Policy**

It is important to us that all Teletronics' products are bought with full confidence. If you are not 100% satisfied with any product purchased from Teletronics you may receive a prompt replacement or refund, subject to the terms and conditions outlined below.

**IMPORTANT:** Before returning any item for credit or under warranty repair, you must obtain a Return Merchandise Authorization (RMA) number by filling out the RMA form. Products will not be accepted without an RMA number. All products being shipped to Teletronics for repair/refund/exchange must be freight prepaid (customer pays for shipping). For all under warranty repair/replacement, Teletronics standard warranty applies.

#### **30-Day full refund or credit policy:**

- I. Product was purchased from Teletronics no more than 30 day prior to the return request.

- II. All shipping charges associated with returned items are non-refundable.
- III. Products are returned in their original condition along with any associated packaging, accessories, mounting hardware and manuals. Any discrepancy could result in a delay or partial forfeiture of your credit.

Unfortunately Teletronics cannot issue credits for:

- I. Products not purchased from Teletronics directly. If you purchased from a reseller or distributor you must contact them directly for return instructions.
- II. Damaged items as a result of misuse, neglect, or improper environmental conditions.
- III. Products purchased direct from Teletronics more than 30 days prior to a product return request.

To return any product under 1 year warranty for repair/replacement, follow the RMA procedure.